

# ABUS semi-goliath crane EHPK

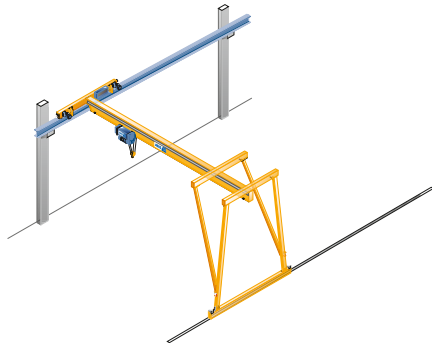
## Freeing up space for increased productivity

ABUS semi-goliath cranes are the best choice when it comes to reaching and servicing as large an area as possible with a low level of investment. The static load on the building structure is also low. Fork lift trucks and other factory trucks in the bay are not restricted.

Freedom of movement serves to enhance productivity.



Rotterdam Road, Apex Ext. 3, Private Bag X011 · Benoni 1500 South Africa · Phone +27 (0)11 7481000 · Fax +27 (0)11 7481093 · e-mail: sales@morris.co.za



## At floor level

all in order

Dependent on site conditions, the lower girder of the EHPK either runs on a flush-mounted surface on the factory floor or – with the aid of special wheels – directly on the factory floor. The free movement of staff and materials is not restricted by projecting edges and floor grooves. The factory floor stays smooth and clean.

## Motor

top class

The ABUS semi-goliath crane is powered by two motors on the high level end carriage. Guide rollers allow the EHPK to run closely along the crane track and reduce track guiding forces. This motor concept ensures uniform distribution of forces on the crane track and reduces wear and tear.



Load capacity: up to 10 t

higher load capacity available on request



Span: up to 15 m

according to load capacity

## Sensitive

and adjustable

The ABULiner frequency converter facilitates very low crane travel speeds for sensitive positioning operations and dampens load swing. Every desired travel speed between the minimum and maximum value can be maintained.

## Robust

and sturdy

Thanks to its torsion-resistant sturdy box girder design and the proven quality of ABUS cranes, the EHPK is a reliable and durable piece of work equipment.

## Intelligent

and secure

The ABUS EHPK detects obstacles in its path via an object recognition device fitted as standard to the lower end carriage. Flashing beacons indicate that the crane is in operation.

## Installation

solved

The installation of the ABUS EHPK is quick and simple thanks to standardised design. It is ready to use in no time.

